

1 2 3 4 5 6 7 8

	B	L
B=125, L=250 mm	125	250
B=125, L=350 mm	125	350
B=125, L=450 mm	125	450

A A

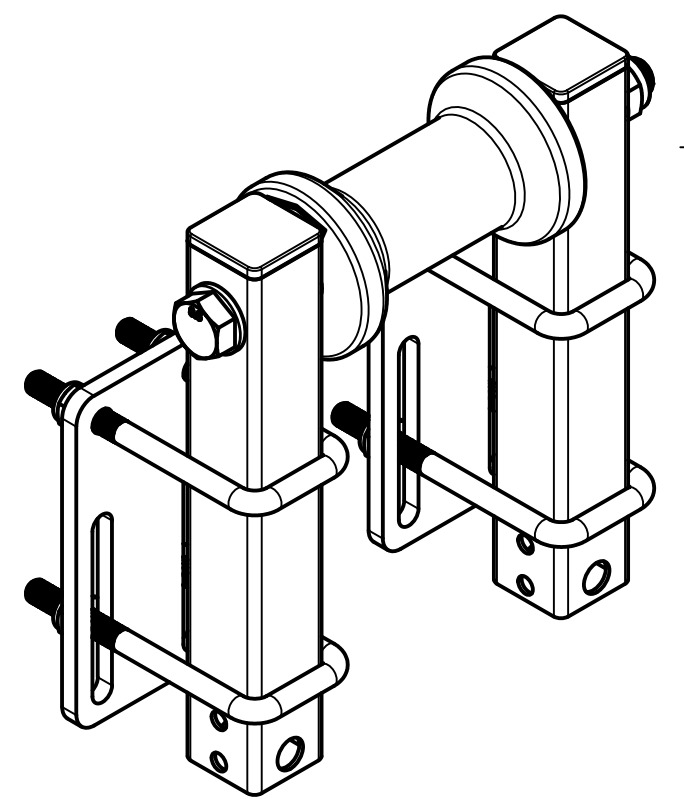
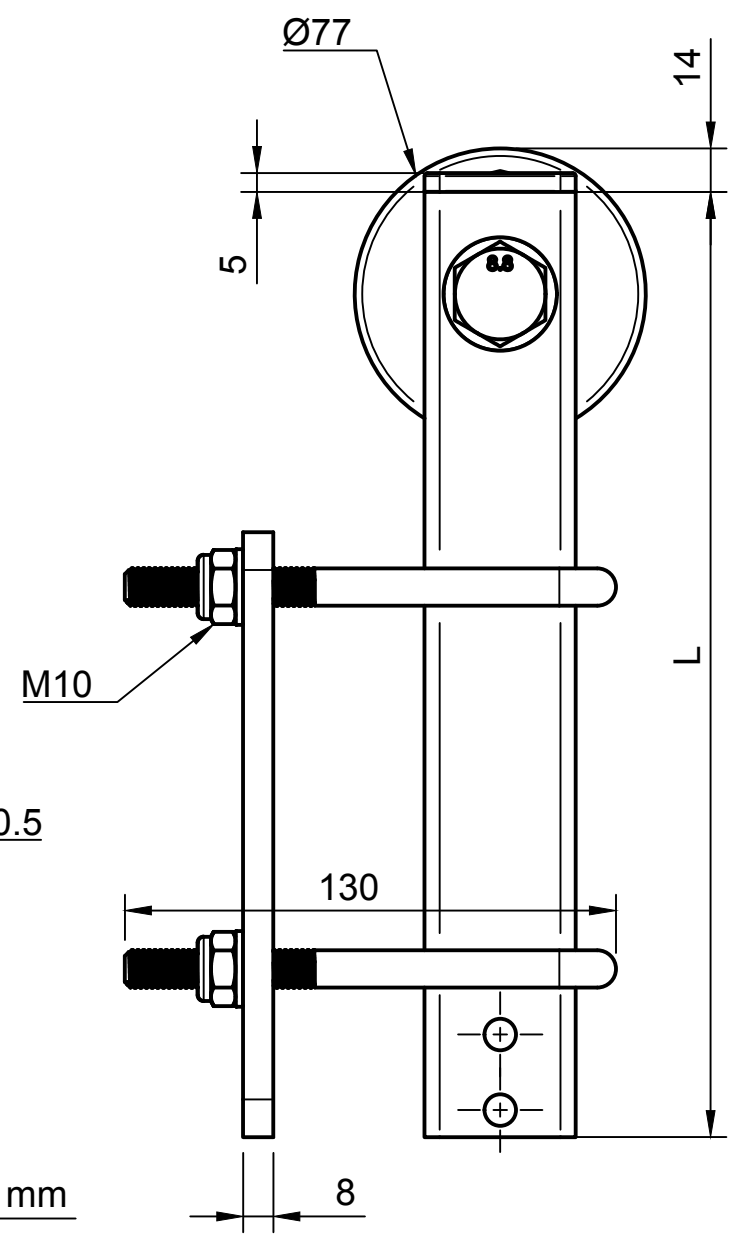
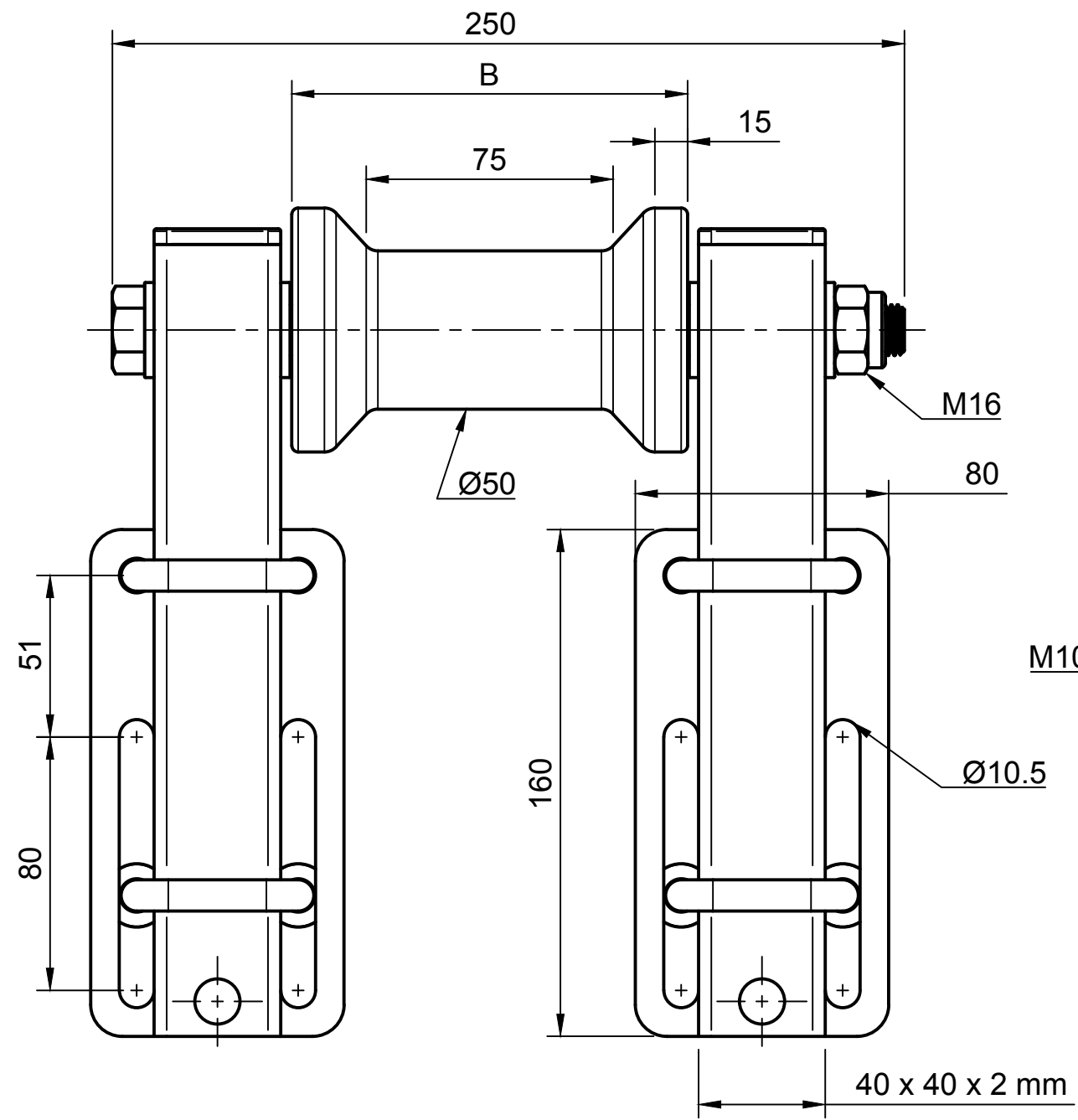
B B


C C

D D

E E

F F



Dept. F+E	Technical reference	Created by TITAPS GmbH	Approved by
	Document type Assembly Drawing	Document status A1	
	Title PU keel roller with holder	DWG No. S_BRT_KRCXXX-TPU	
	Rev.	Date of issue 01.04.2023	Sheet 1/1

1 2 3 4 5 6 7 8