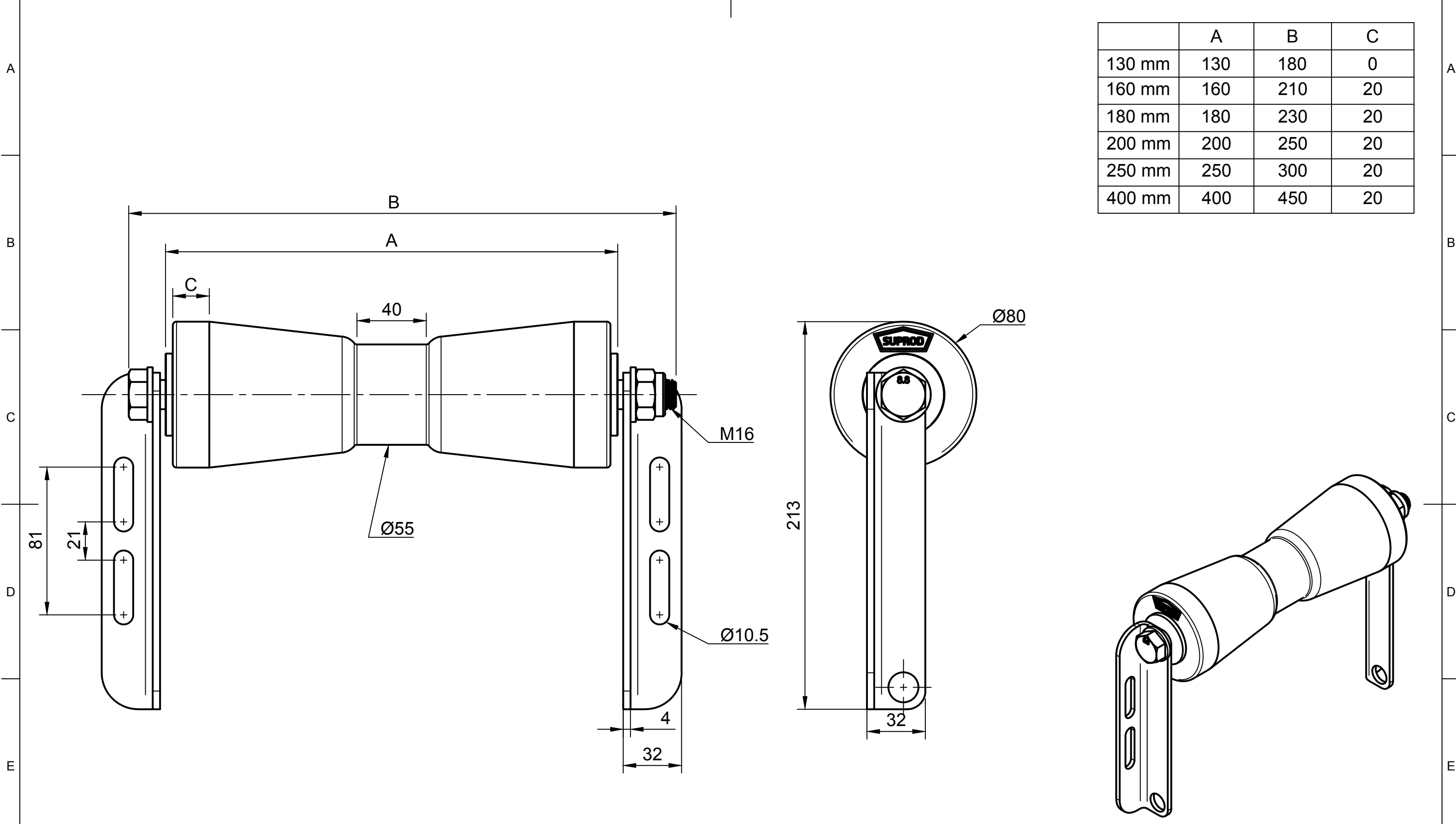



1 2 3 4 5 6 7 8



	A	B	C
130 mm	130	180	0
160 mm	160	210	20
180 mm	180	230	20
200 mm	200	250	20
250 mm	250	300	20
400 mm	400	450	20

A
B
C
D
E
F

A
B
C
D
E
F

Dept. F+E	Technical reference	Created by TITAPS GmbH	Approved by
	Document type Assembly Drawing	Document status A1	
	Title PU keel roller with holder	DWG No. S_BRC_KRAXXX-TPU	
		Rev.	Date of issue 20.12.2022

1 2 3 4 5 6 7 8