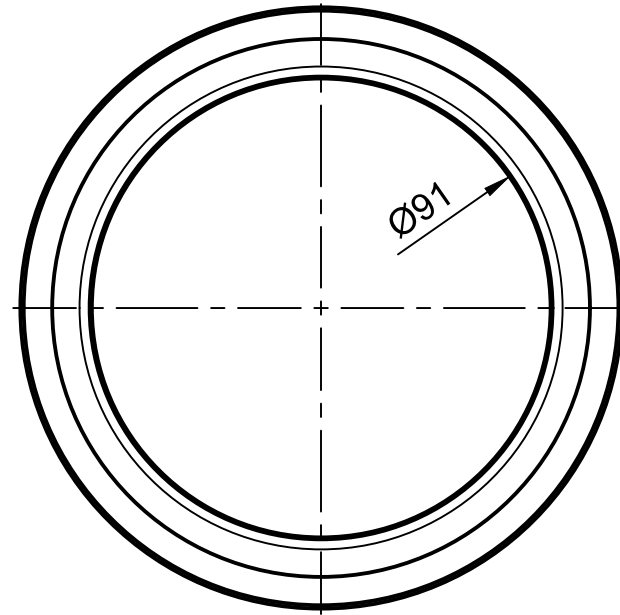
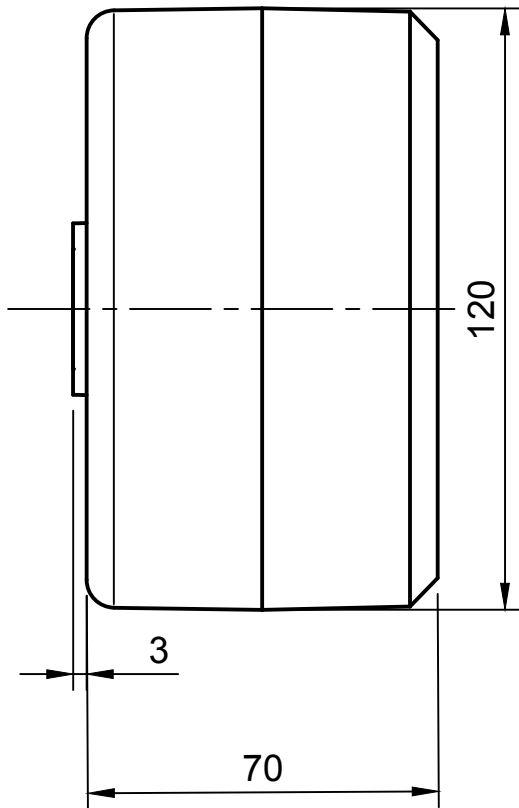
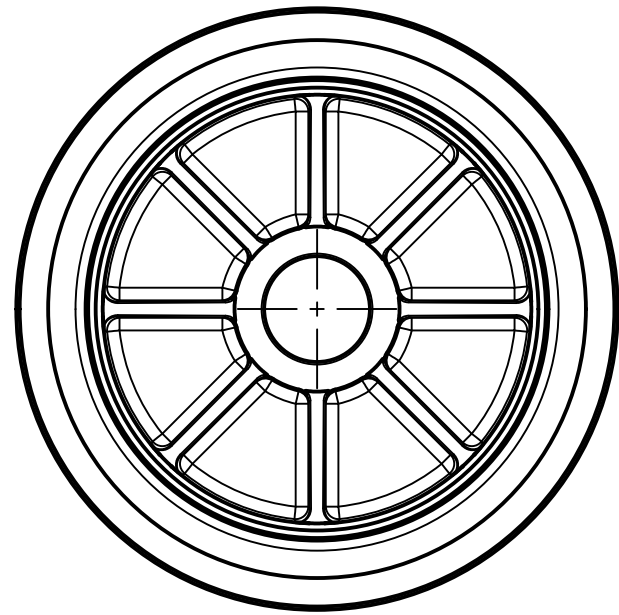


1 2 3 4 5 6 7 8

A

A

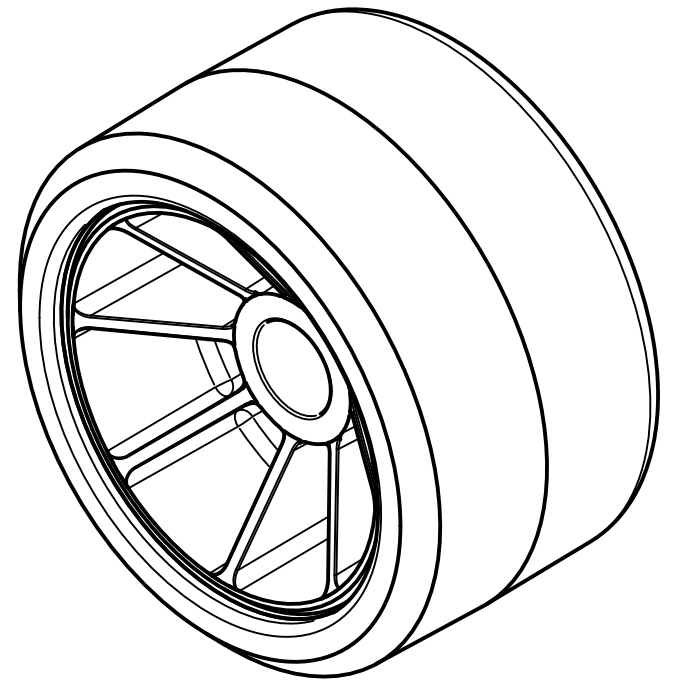
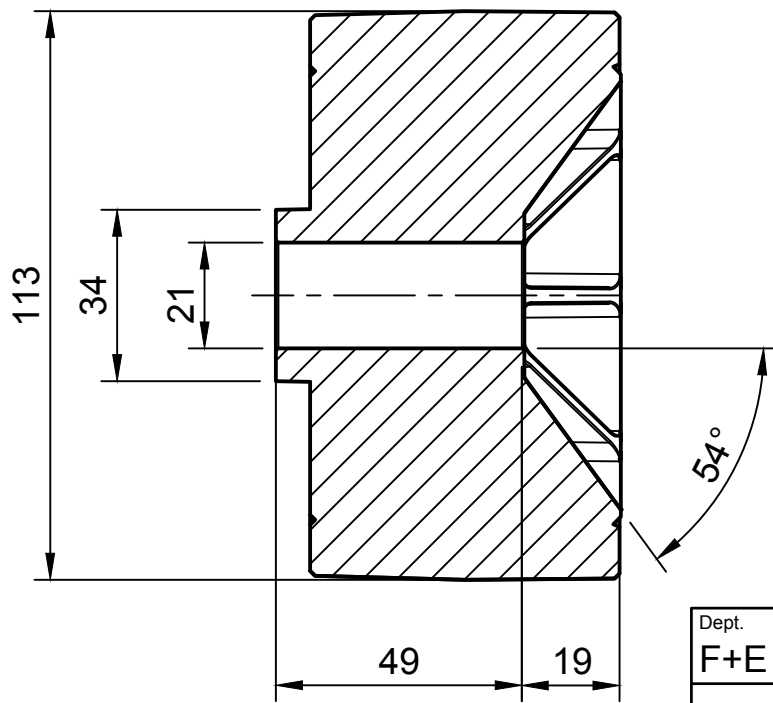
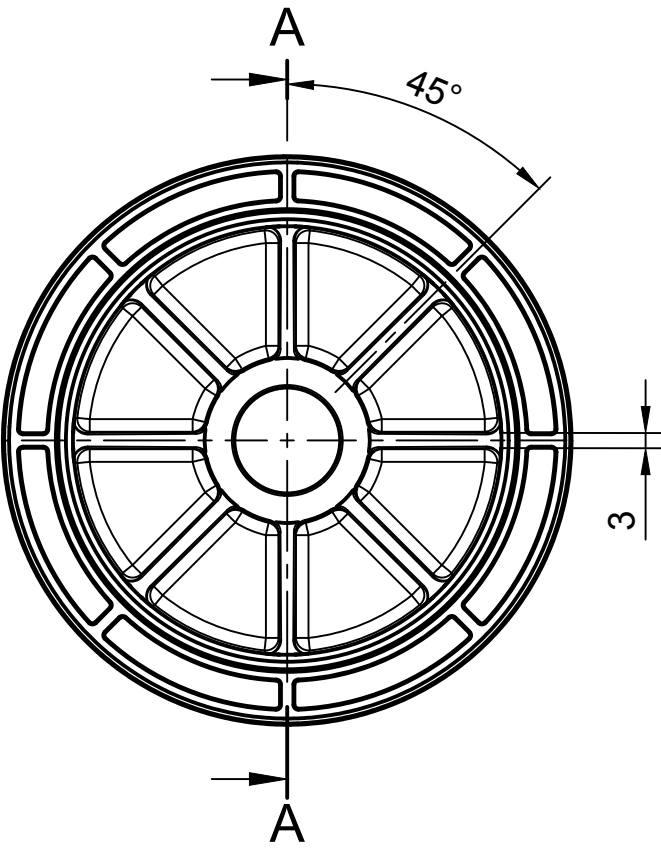


B

B

C

C



D

D


E

E

F

F

1 2 3 4 5 6 7 8

Dept. F+E	Technical reference	Created by TITAPS GmbH	Approved by
		Document type Part Drawing	Document status A1
		Title Boat roll	DWG No. RLA120
		Rev.	Date of issue 08.06.2022
		Sheet 1/1	